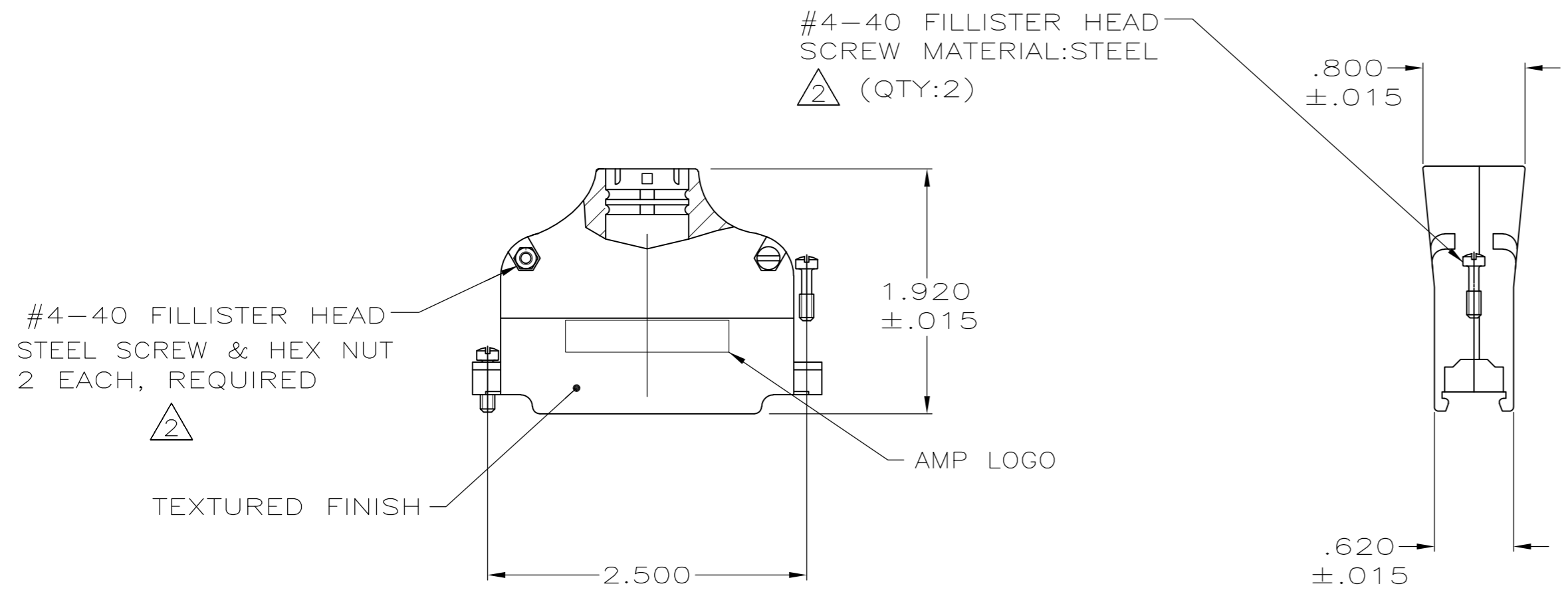
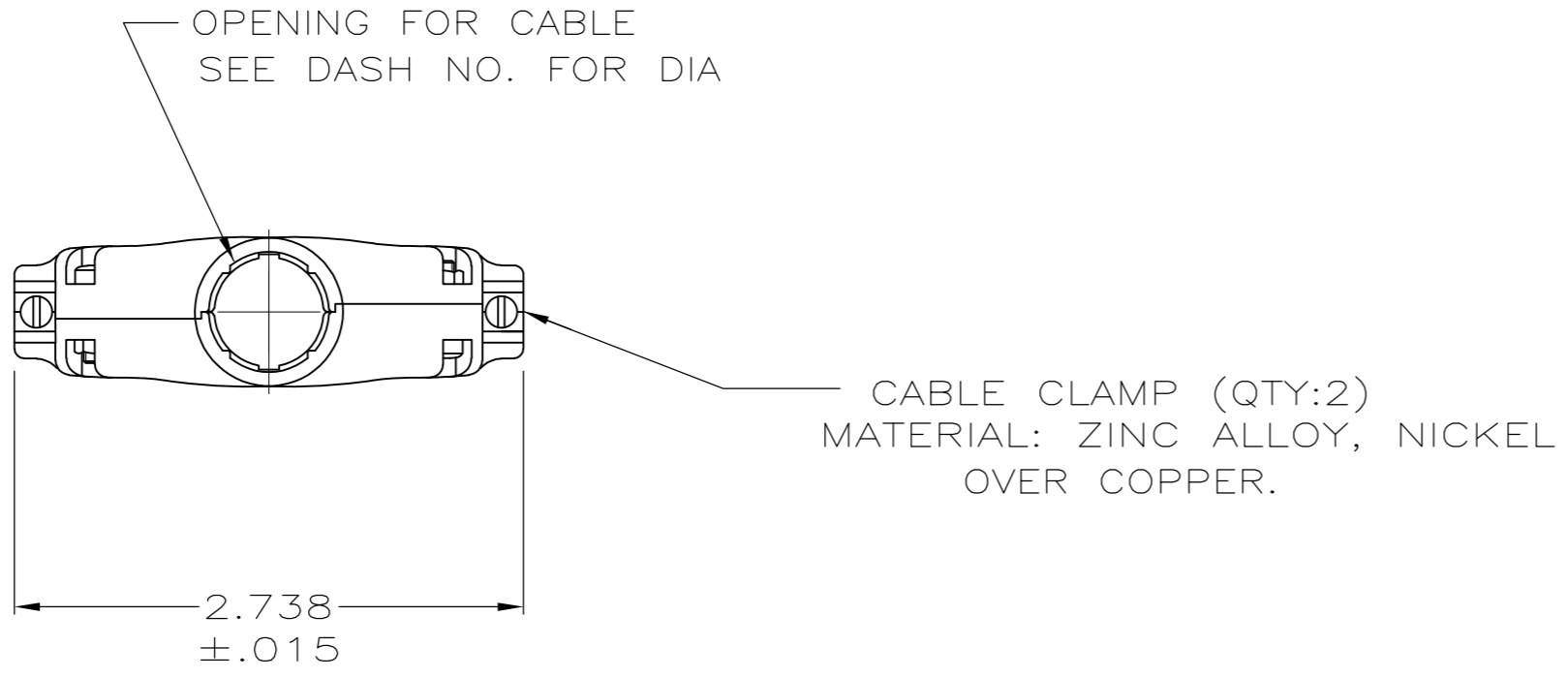


THIS DRAWING IS UNPUBLISHED. RELEASED FOR PUBLICATION  
 © COPYRIGHT - By - ALL RIGHTS RESERVED.

LOC	DIST	REVISIONS					
		P	LTR	DESCRIPTION	DATE	DWN	APVD
GP	00	P		REVISED PER ECO-11-004835	11MAR11	RK	HMR



#4-40 FILLISTER HEAD STEEL SCREW & HEX NUT 2 EACH, REQUIRED



TEXTURED FINISH

AMP LOGO

SIZE	NECK IDENT	CABLE DIA	PART NO.
P	.530		2-5745174-7
F	.350		5745174-5
J	.425		5745174-4
N	.500		5745174-3
R	.575		5745174-2
T	.650		5745174-1

- 1. PARTS PACKAGED UNASSEMBLED.
- △ ZINC PLATED .000200-.000400 THICK, CLEAR CHROMATE COATING.

**COPYRIGHT 2005  
 TE CONNECTIVITY CORP  
 ALL RIGHTS RESERVED**

THIS DRAWING IS A CONTROLLED DOCUMENT.

DWN	D. HENNY	8-13-05
CHK	C. ROHDE	8-13-05
APVD	M. WALMSLEY	8-13-05

TE Connectivity

CABLE CLAMP KIT, SIZE 4, 37 POSITION, 180DEG, AMPLIMITE SERIES

SIZE	CAGE CODE	DRAWING NO	RESTRICTED TO
A2	00779	C=5745174	-

CUSTOMER DRAWING SCALE 1:1 SHEET 1 of 1 REV P